

3 Pin-Out Diagram

Pin	Comments
VDD	Supply Voltage
GND	Ground
TX/ SCL	Modbus: Transmission line (Push/Pull with 3V level) I ² C: Serial clock (internal 45kΩ pull-up resistor, pulled to 3V, for higher voltages a level shifter is needed)
RX/ SDA	Modbus: Receive line (Input must not exceed 5.5V) I ² C: Serial data (internal 45kΩ pull-up resistor, pulled to 3V, for higher voltages a level shifter is needed)
RDY	Data ready pin. High when data is ready for read-out
PWM	PWM output of CO ₂ concentration measurement
SEL	Interface select pin. Pull to VDD (do not exceed 4V, use voltage divider in case your VDD is >4V) for selecting Modbus, leave floating or connect to GND for selecting I ² C.

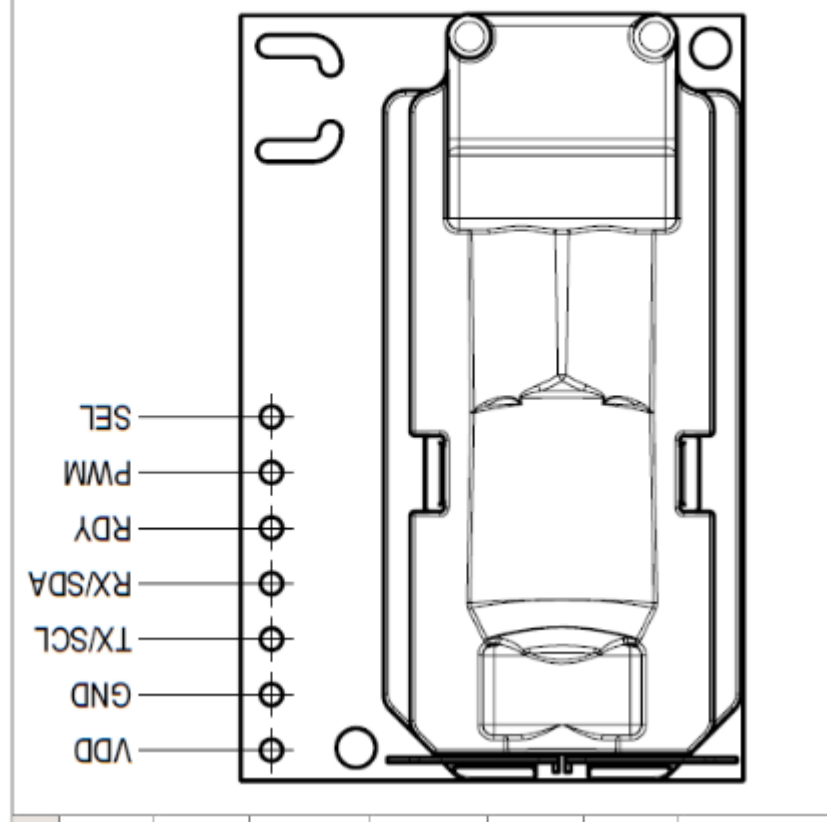


Figure 2: Pin-out of the SCD30.